



## D6GL

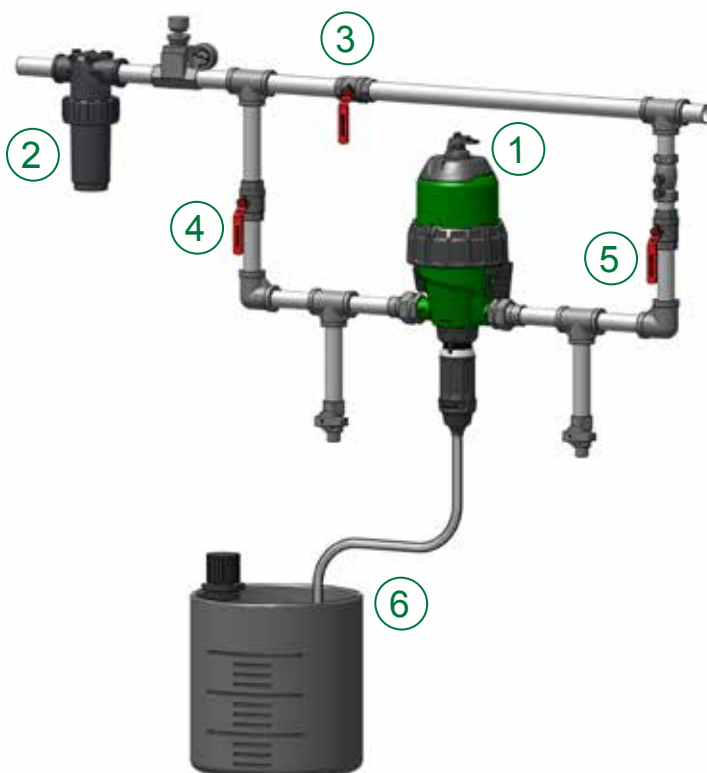
### The fertigation reference

- Proportional dosing without electricity
- Flow proportionality

Fruit Vegetable production - Greenhouse  
Field crop cultivation - Nursery Landscaping

## STANDARD INSTALLATION

- ① D6GL
- ② Filter
- ③ Master valve
- ④ Bypass valve
- ⑤ Non return valve
- ⑥ Stock solution

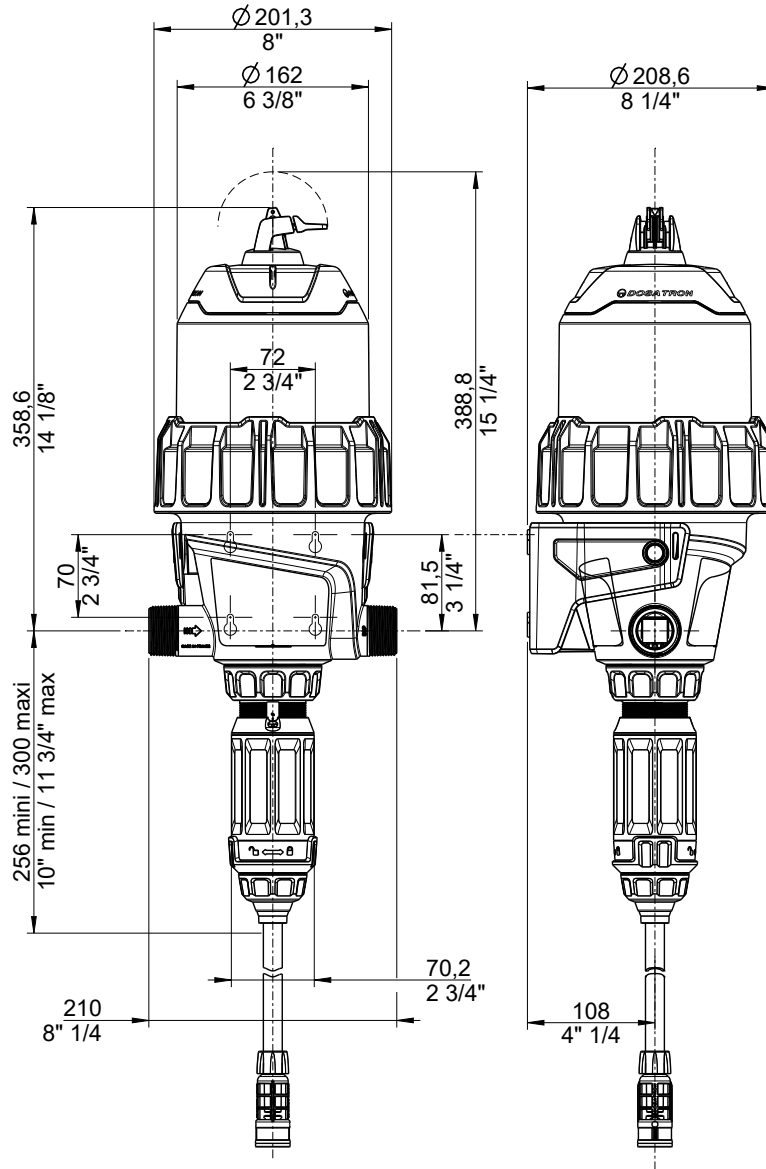


## SPECIFICATIONS

		D6GL2	
		Min	Max
Operating water flow	l/h	100	6000
	m <sup>3</sup> /h	0,1	6
	gpm	0.44	26.42
Operating pressure	bar	0,3	8
	psi	4.35	116
Pressure loss	bar	0,25	0,9
	psi	3.63	13.05
Adjustable dosing	%	0,2	2
	1:	500	50
	ppm	2000	20000
Injection flow rate	l/h	0,2	120
	gpm	0.0009	0.528

# REQUIREMENTS

dimensions in mm



		<b>D6GL2</b>	
<b>Pump weight</b>	kg	3,7	
	lbs	8.15	
<b>Pump dimensions</b>		<b>cm</b>	<b>inch</b>
	Diameter	21	8 1/2"
	Height	64	25 1/4"
	Width	21	8 1/2"
<b>Packaging weight</b>	kg	4	
	lbs	8.82	
<b>Packaging dimensions</b>		<b>cm</b>	<b>inch</b>
	Diameter	63,2	24 7/8"
	Height	22	8 11/16"
	Width	21	8 1/2"



IRRIGATION

## FEATURES

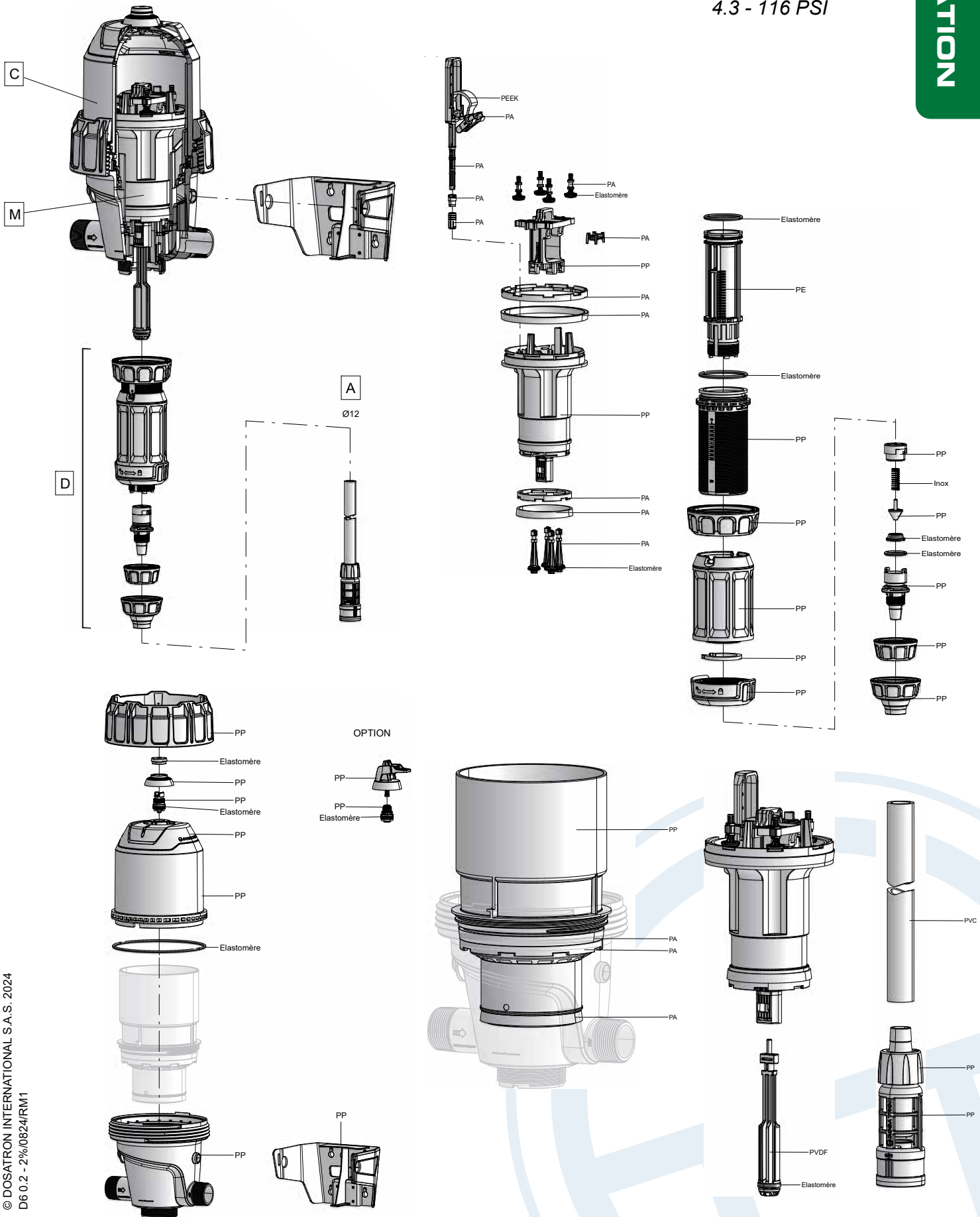
		<b>D6GL2</b>	
		<b>Min</b>	<b>Max</b>
<b>Operating temperature</b>	°C	5	40
	°F	42.8	104
<b>Motor capacity</b>	L	1	
	US gallon	0.26	
<b>Water flow calculation</b>	<b>Number of clacks in 15 seconds</b>	l/h	gpm
	<b>2</b>	240	1.06
	<b>4</b>	480	2.11
	<b>8</b>	960	4.22
	<b>16</b>	1920	8.45
	<b>32</b>	3840	16.90
	<b>50</b>	6000	26.40
<b>Connections</b>	<b>Type</b>	BSPT Ø 33x42 mm male	
	<b>Type</b>	BSPT 1 1/4"	

## EQUIPMENTS

		<b>D6GL2</b>	
		<b>Serial</b>	<b>Optional</b>
<b>Dosing seals</b>	VF	x	
<b>Manual by-pass</b>		x	
<b>Automatic by-pass</b>			x
<b>Wall mount</b>		x	
<b>Suction hose</b>	length (m)	1,75	
	diameter (mm)	12 x 16	
<b>Strainer</b>	filter 300µ	x	

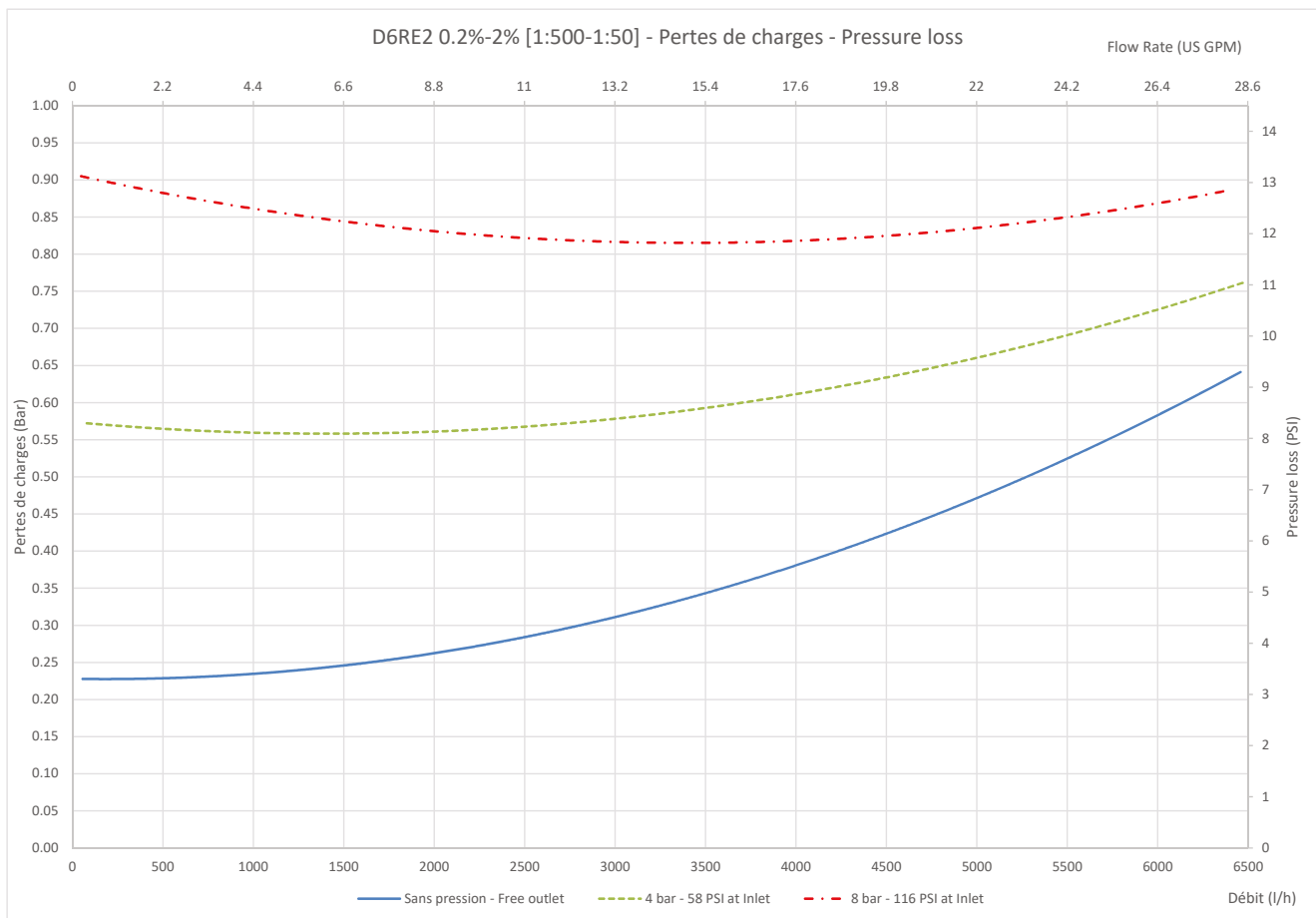
## D6 0.2 - 2% Raw Materials

6m<sup>3</sup>/h - 0.2 - 2%  
26 GPM - 1:500 - 1:50  
0.3 - 8 bar  
4.3 - 116 PSI



# CURVES - PRESSURE LOSS

## D6GL2



### Fertilisers and chemical components

#### Notes

These indications reflect the use of our dosing pumps in optimum conditions. It is essential to take account of the actual conditions, that is to say the pressure, flow rate, temperature, chemical composition of the water present, etc., which are all factors influencing compatibility results.

We recommend that you contact your distributor or our services if you have any doubts or if any products are not mentioned.

Products	Ammonium nitrate			Phosphoric acid			Sulfate of potassium		
	NH <sub>4</sub> NO <sub>3</sub>			H <sub>3</sub> PO <sub>4</sub>			K <sub>2</sub> SO <sub>4</sub>		
Concentration	low	average	high	low	average	high	low	average	high
	10%	20%	40%	10%	20%	40%	10%	20%	40%
D6GL2	●	●	●	●	●	●	●	●	●

Products	Acid nitric			Hydrochloric acid			Ternary fertilizer + trace elements		
	HNO <sub>3</sub>			HCL			NPK		
Concentration	low	average	high	low	average	high	low	average	high
	10%	20%	40%	10%	20%	40%	10%	20%	40%
D6GL2	●	●	●	●	●	●	●	●	●

Products	Iron chelate "sequestrene"			Hydrogen peroxide			Sulphuric acid				
	IDHA - EDDHA			H <sub>2</sub> O <sub>2</sub>			H <sub>2</sub> SO <sub>4</sub>				
Concentration	low	average	high	low	average	high	low	average	high		
	10%	20%	40%	10%	20%	40%	10%	20%	40%		
D6GL2	●	●	●	●	●	●	●	●	●		
						maximum concentration at 50%			strong exothermic reaction		

#### Compatibility key



VG very good



G good



NC not compatible

# DOSATRON TECHNOLOGY

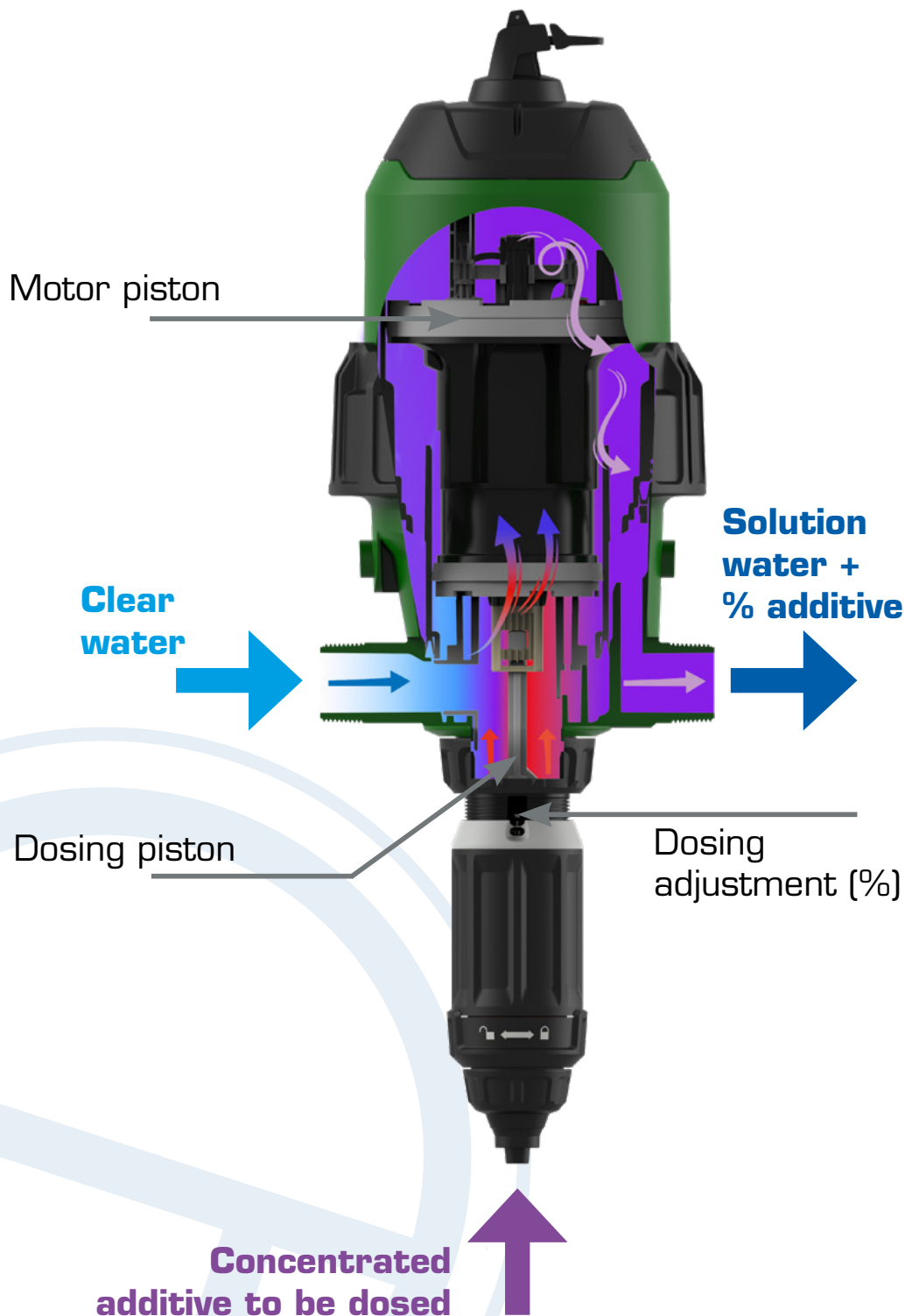
## A unique technology associating all dosing functions

Installed directly in the water supply line, the **Dosatron** operates by using water pressure as the only power source. Activated in this way, it draws in the concentrated product, doses it at the desired ratio and mixes it with the motive water.

### The water pressure forces the solution downstream.

The dose of concentrate will be directly **proportional to the volume of water** entering the DOSATRON, regardless of variations in flow or pressure which may occur in the main line.

The concentration of the solution always remains the same.





[www.dosatron.com](http://www.dosatron.com)



**DOSATRON APP**  
Your daily assistant

